

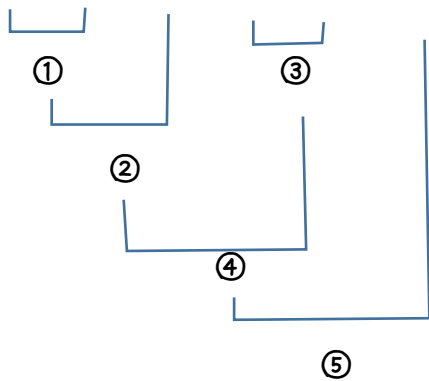
やさしい問題です。(1分30秒くらいが平均)

(問題)15_6_4

$$\left\{ \left(0.75 - \frac{1}{36} \right) \times 6 - 0.25 \div \frac{3}{8} \right\} \div \frac{1}{3}$$

まず、 $0.75 = \frac{3}{4}$ $0.25 = \frac{1}{4}$ だから、もとの式は

$$\left\{ \left(\frac{3}{4} - \frac{1}{36} \right) \times 6 - \frac{1}{4} \div \frac{3}{8} \right\} \div \frac{1}{3}$$



$$\textcircled{1} \dots \frac{3}{4} - \frac{1}{36} = \frac{13}{18}$$

$$\textcircled{2} \dots \frac{13}{18} \times 6 = \frac{13}{3}$$

$$\textcircled{3} \dots \frac{1}{4} \div \frac{3}{8} = \frac{2}{3}$$

$$\textcircled{4} \dots \frac{13}{3} - \frac{2}{3} = \frac{11}{3}$$

$$\textcircled{5} \dots \frac{11}{3} \div \frac{1}{3} = 11$$

//